

### Features

- 9" (229 mm) spout reach.
- 2-7/8" (73 mm) high nondiverter spout.
- KOHLER ceramic disc valves exceed industry longevity standards for a lifetime of durable performance.
- Variety of handle style options (sold separately).
- Handle trim sold separately.
- Coordinates with other products in the Artifacts collection.

### Material

- Brass.
- KOHLER finishes resist corrosion and tarnishing.

### Installation

- Finished deck-mount installation only.

### Required Products/Accessories

- K-T98071-3M Deck-mount Bath Faucet Trim
- or
- K-T98071-4 Deck-mount Bath Faucet Trim
- or
- K-T98071-9M Bath- or Deck-Mount Handles

### Recommended Products/Accessories

- K-23723 Faucet cleaner

### Included Components

Additional Components:

- 1354692 1/2" recessed deck-mount bath valve kit



### Codes/Standards

ASME A112.18.1/CSA B125.1

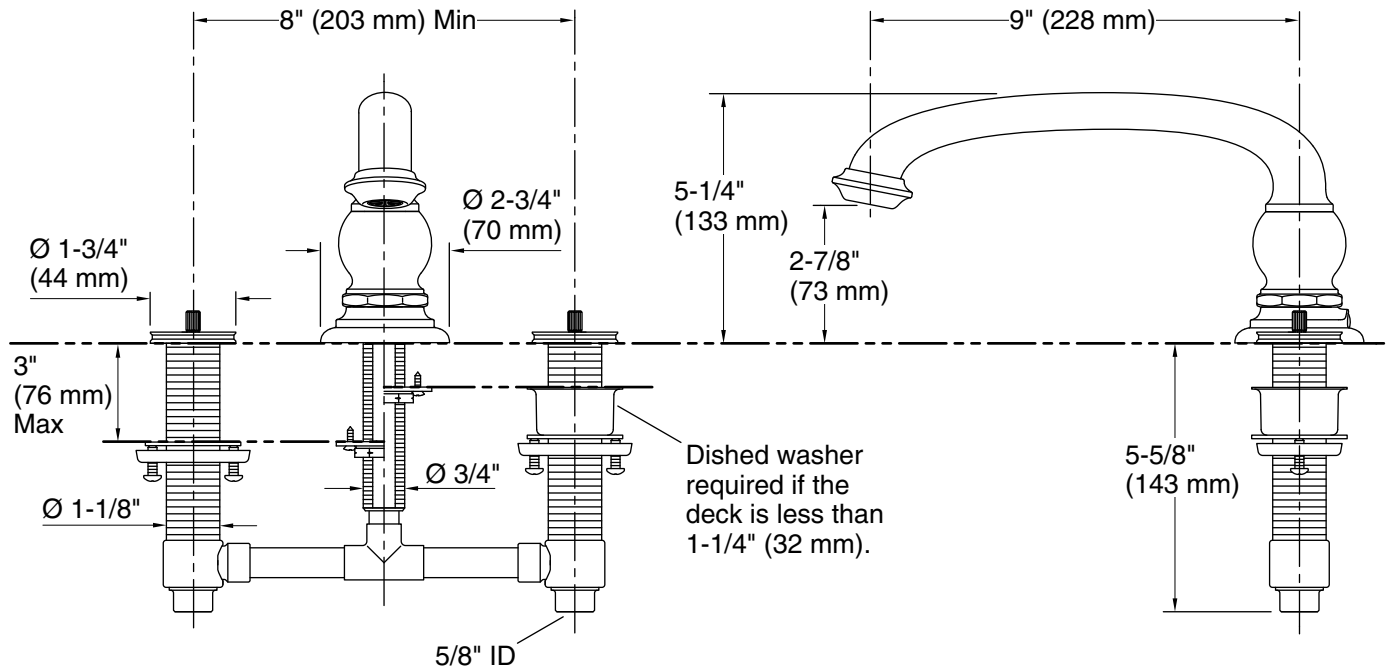
### KOHLER® Faucet Lifetime Limited Warranty

See website for detailed warranty information.

### Available Colors/Finishes

*Color tiles intended for reference only.*

Color	Code	Description
	CP	Polished Chrome
	SN	Vibrant® Polished Nickel
	BN	Vibrant® Brushed Nickel
	BV	Vibrant® Brushed Bronze
	2BZ	Oil-Rubbed Bronze
	2MB	Vibrant® Brushed Moderne Brass
	VNT	Vintage Nickel



### Technical Information

All product dimensions are nominal.

#### Spout:

Spout reach: 9" (229 mm)

### Notes

**IMPORTANT!** Artifacts deck-mount handles are only compatible with the valve included with the Artifacts deck-mount faucets. Do not install to a K-300 bath valve.

**IMPORTANT!** For K-T98071-9M models, the handle swings up and toward the user. Ensure that the handle will not interfere with the bath fixture during operation.

Install this product according to the installation guide.

For a finished bath deck/rim less than 5/8" (16 mm) thick: Install wood reinforcing material to the underside of the deck/rim. The combined thickness of the reinforcing material and the deck/rim must not exceed 3" (76 mm).